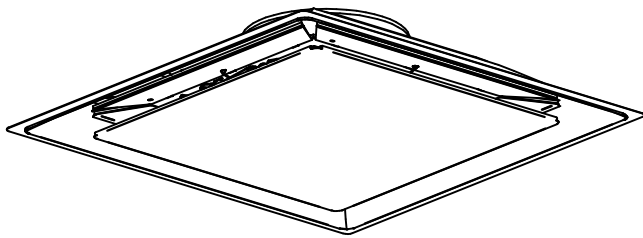
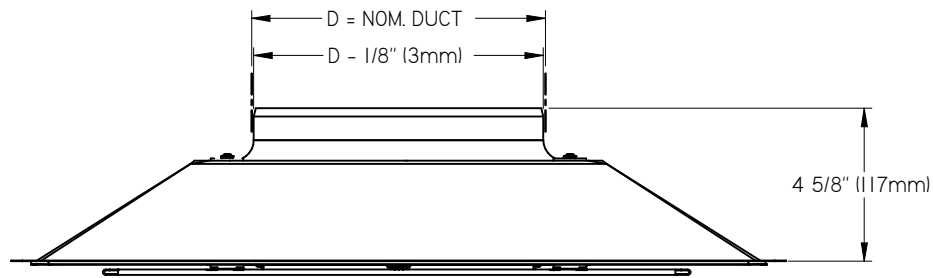


**VBD - VARITHERM<sup>®</sup> BLADED DIFFUSER**



**CEILING MODULE:**

- 24" x 24"
- 600mm x 600mm

**NOMINAL DUCT SIZE:**

- 6" (152mm)       10" (254mm)
- 8" (203mm)       12" (305mm)

**STANDARD CONSTRUCTION:**

- STEEL CONSTRUCTION

**OPERATION:**

- HC - VAV HEATING AND COOLING
- CW - VAV COOLING AND CV HEATING
- C - VAV COOLING ONLY
- D - MANUALLY ADJUSTABLE
- RA - MATCHING RETURN

**SETPOINT RANGE:**

- STANDARD RANGE FOR HEATING AND COOLING  
70 TO 78°F (21 TO 26°C)
- HCSP - HIGHER COOLING RANGE  
74 TO 80°F (23 TO 28°C)
- LHSP - LOWER HEATING RANGE  
64 TO 73°F (18 TO 23°C)
- HCLH - HIGHER COOLING AND LOWER HEATING

**FINISH:**

- B12 - WHITE  
(OPTIONAL FINISHES AVAILABLE)

**OPTIONAL MINIMUM FLOW ADJUSTMENT:**

- FR - FIXED RUBBER BUMPER, 20% MINIMUM FLOW
- FS - ADJUSTABLE SCREW TYPE, FACTORY SET TO:
  - 10%
  - 20%
  - 30%
  - 40%

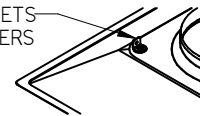
**OPTIONAL REMOTE ADJUST:**

- DISPL - DISIO DISPLAY, MASTER UNIT (REQUIRES 24VAC POWER INPUT)
- DA - SECONDARY UNIT, RESPONDS TO SIGNAL FROM DISPL MASTER UNITS

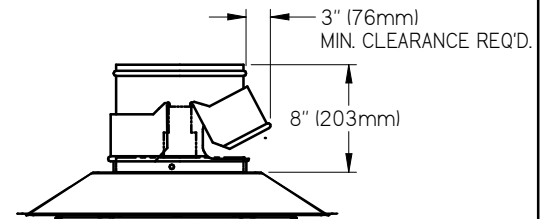
**OPTIONS:**

- AFI - FIBERGLASS INSULATION WITH FOIL FACING
- HB - HANGER BRACKETS

OPTIONAL HANGER BRACKETS  
2 OPPOSITE CORNERS



- PRC - PRESSURE RELIEF COLLAR (SHIPPED LOOSE)  
(ALSO SEE SUBMITTAL 268238)



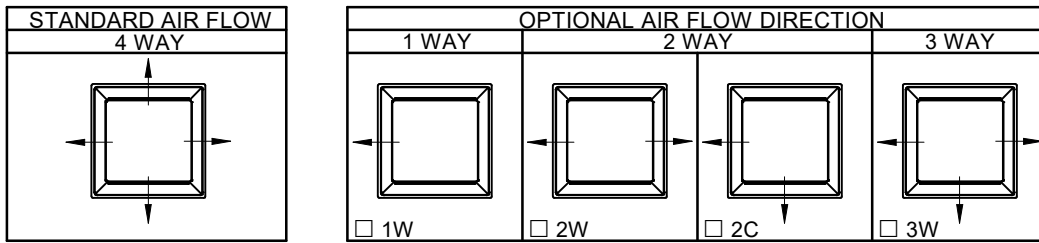
**NOTES:**

- FACTORY DEFAULTS:  
SET TO 74°F (23°C) WITH STANDARD RANGE  
COOLING SET TO 80°F (26.5°C) WITH HCSP, HCLH OPTIONS  
HEATING SET TO 68°F (20°C) WITH LHSP, HCLH OPTIONS
- FACTORY TOLERANCE ±1/16" (2mm)

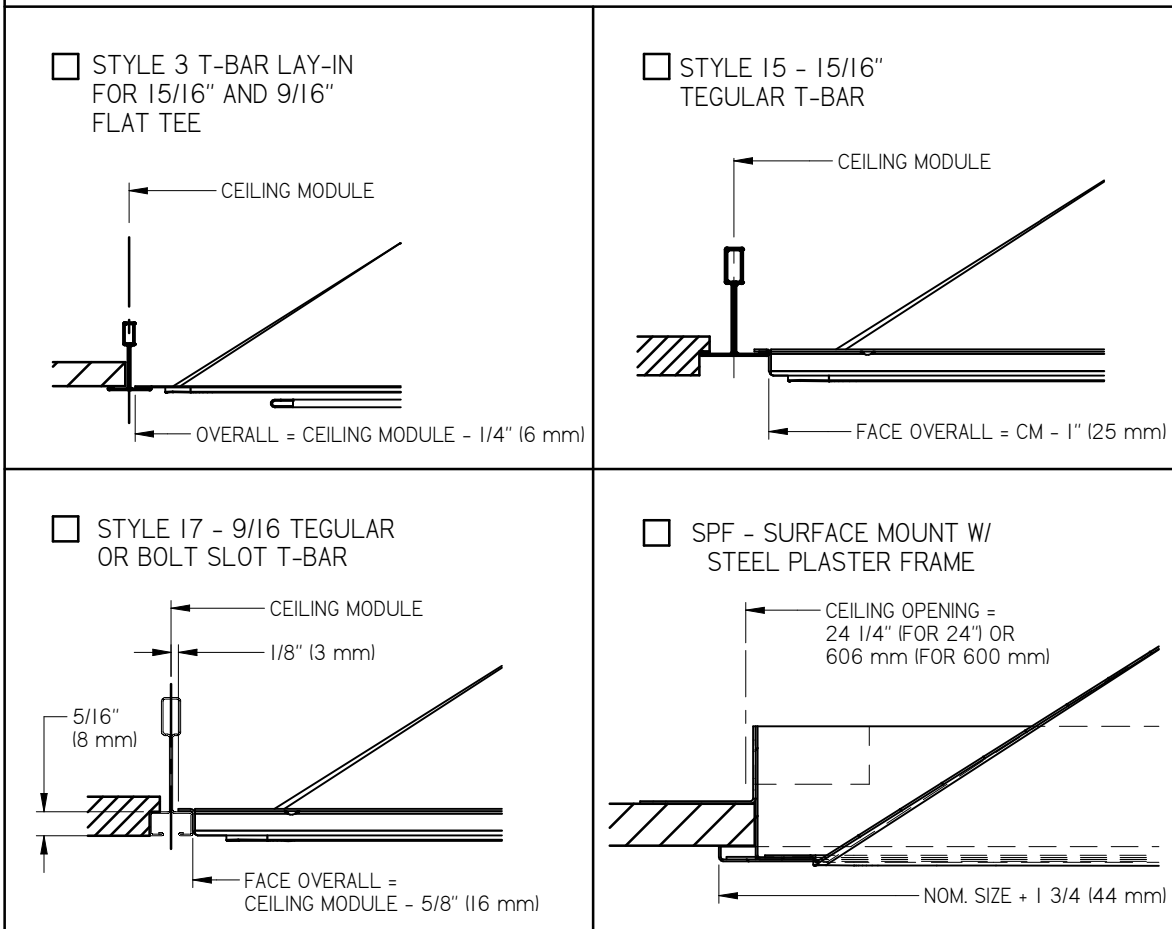
ALL METRIC DIMENSIONS ( ) ARE SOFT CONVERTED. IMPERIAL DIMENSIONS ARE CONVERTED TO METRIC AND ROUNDED TO THE NEAREST MILLIMETER.

<b>PROJECT:</b>		<b>PRICE</b>	
<b>ENGINEER:</b>		<i>NS</i>	<b>VBD</b>
<b>CUSTOMER:</b>		<b>275132</b>	<b>VARITHERM<sup>®</sup> BLADED DIFFUSER</b>
<b>SUBMITTAL DATE:</b>	<b>SPEC. SYMBOL:</b>	JAN 2023	

**VBD - VARITHERM<sup>®</sup> BLADED DIFFUSER**



**BORDER OPTION**



ALL METRIC DIMENSIONS ( ) ARE SOFT CONVERTED. IMPERIAL DIMENSIONS ARE CONVERTED TO METRIC AND ROUNDED TO THE NEAREST MILLIMETER.

<b>PROJECT:</b>		<b>PRICE</b> <sup>®</sup>	
<b>ENGINEER:</b>			
<b>CUSTOMER:</b>		<b>VARITHERM<sup>®</sup> BLADED DIFFUSER</b>	
<b>SUBMITTAL DATE:</b>		<b>275132</b>	
<b>SPEC. SYMBOL:</b>		JAN 2023	